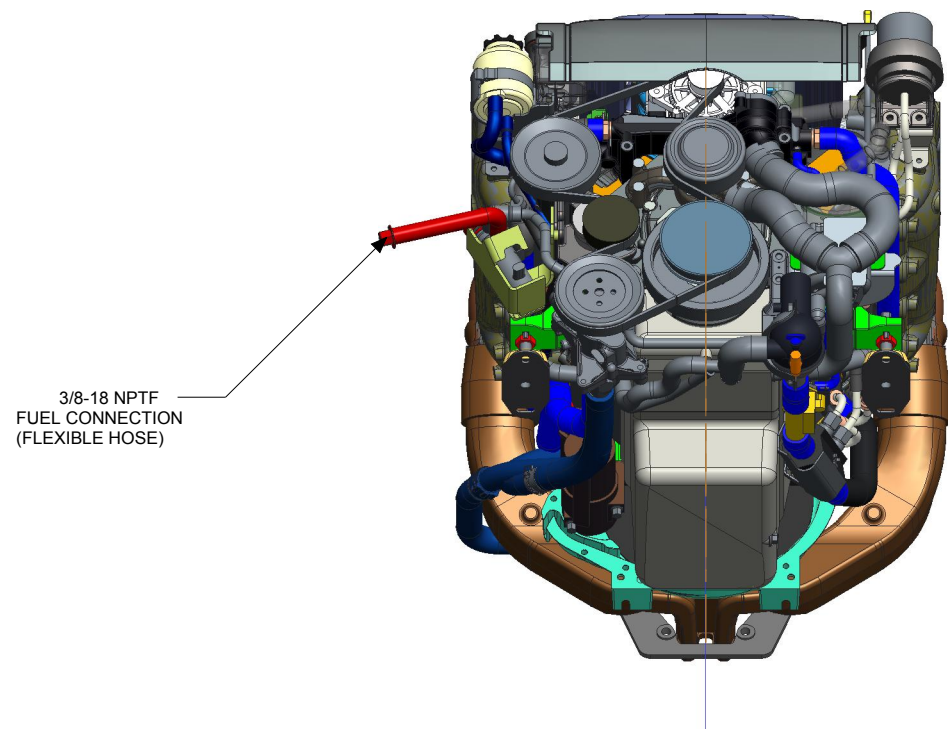
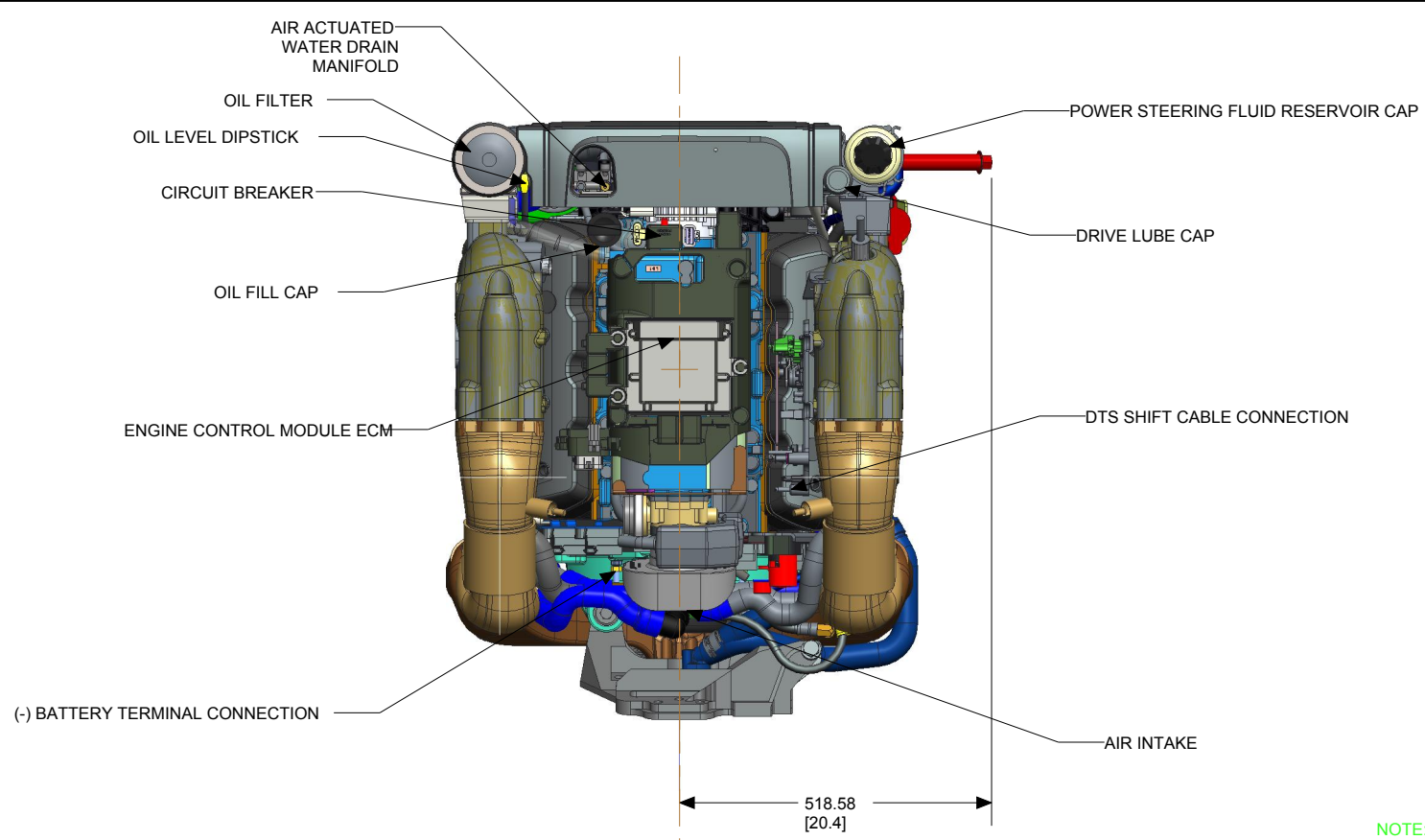


NOTES:  
 (1) REFER TO THE APPLICATION MANUAL FOR COMPLETE PRODUCT INSTALLATION REQUIREMENTS.  
 (2) DIMENSIONS REQUIRE A MINIMUM OF 1/2 in. (13 mm) CLEARANCE FOR MOTOR MOUNT DEFLECTION.  
 (3) INNER AND OUTER SURFACES OF TRANSOM MUST BE PARALLEL WITHIN 1/8 in. (3 mm) IN AREA COVERED BY TRANSOM PLATES AND REMAIN WITHIN TRANSOM THICKNESS LIMITS.  
 (4) REFER TO "TRANSOM CUTOUT" IN THE INSTALLATION MANUAL TO FIND THE CRANKSHAFT CENTERLINE VS. BOAT BOTTOM.

V8_BRAVO_RWC 6.2L BRAVO RWC RAW WATER COOLED	REVISION D	UNITS mm (in)	SCALE 1:12 25.4 mm = 305 mm 1" = 1'	SHEETS 1 OF 2	
--	---------------	---------------------	--	------------------	--



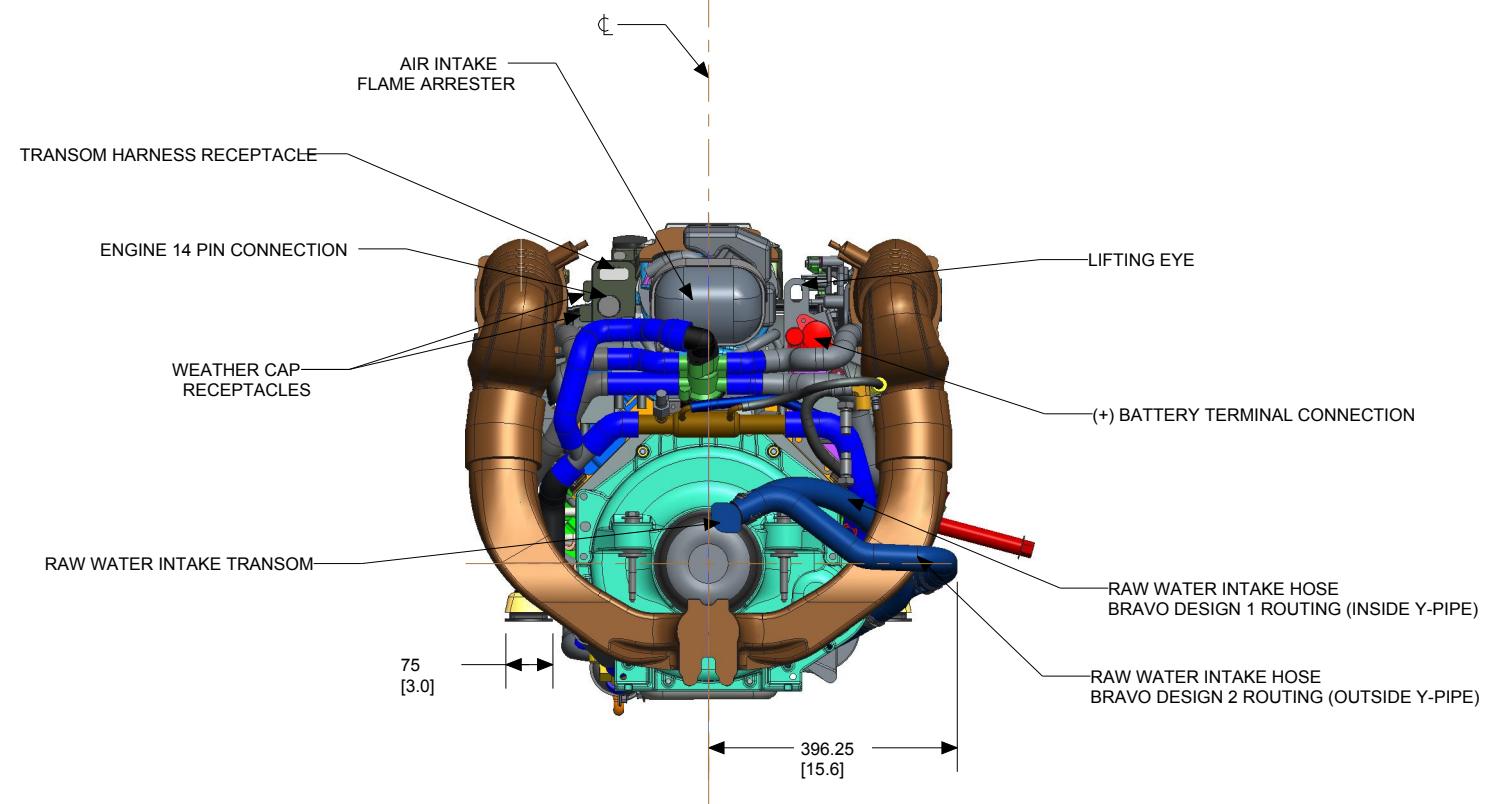
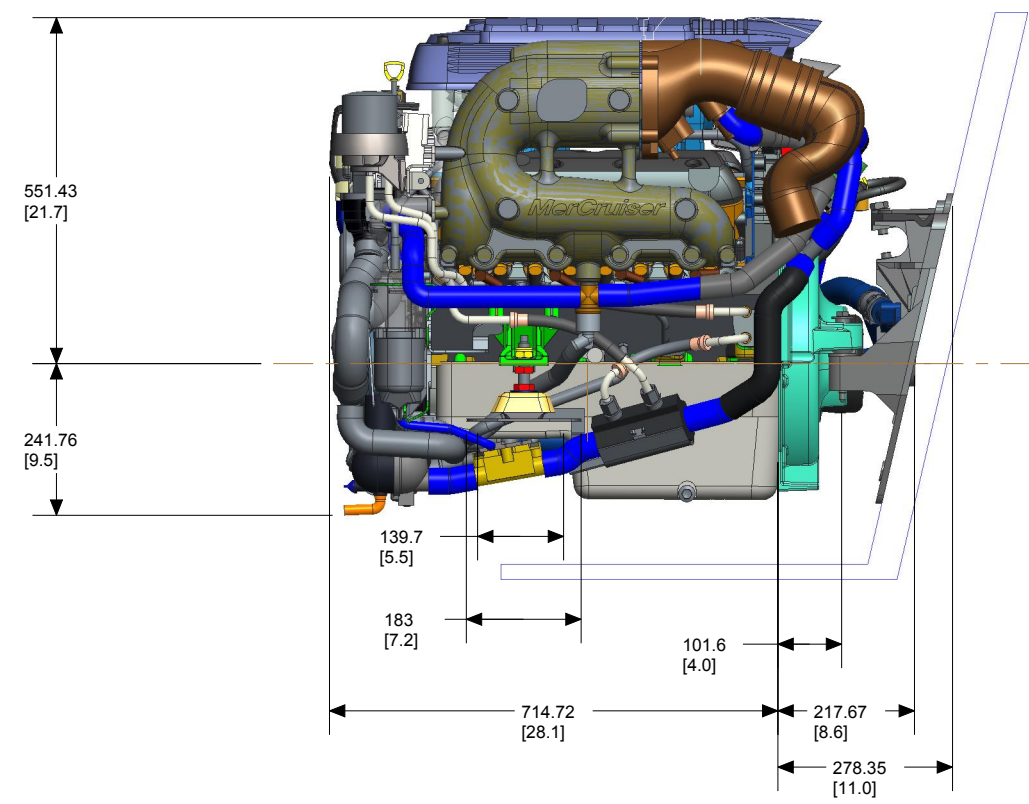
3/8-18 NPTF  
FUEL CONNECTION  
(FLEXIBLE HOSE)



(-) BATTERY TERMINAL CONNECTION

518.58  
[20.4]

NOTE: IN THESE VIEWS COMPONENTS LIKE TOP COVER AND INNER TRANSOM MAY BE REMOVED TO HELP SHOW COMPONENT LOCATIONS



75  
[3.0]

396.25  
[15.6]

NOTES:  
(1) REFER TO THE APPLICATION MANUAL FOR COMPLETE PRODUCT INSTALLATION REQUIREMENTS.  
(2) DIMENSIONS REQUIRE A MINIMUM OF 1/2 in. (13 mm) CLEARANCE FOR MOTOR MOUNT DEFLECTION.  
(3) INNER AND OUTER SURFACES OF TRANSOM MUST BE PARALLEL WITHIN 1/8 in. (3 mm) IN AREA COVERED BY TRANSOM PLATES AND REMAIN WITHIN TRANSOM THICKNESS LIMITS.  
(4) REFER TO "TRANSOM CUTOUT" IN THE INSTALLATION MANUAL TO FIND THE CRANKSHAFT CENTERLINE VS. BOAT BOTTOM.

V8_BRAVO_RWC 6.2L BRAVO RWC RAW WATER COOLED	REVISION D	UNITS mm (in)	SCALE 1:12 25.4 mm = 305 mm 1" = 1'	SHEETS 2 of 2	
--	---------------	---------------------	--	------------------	--