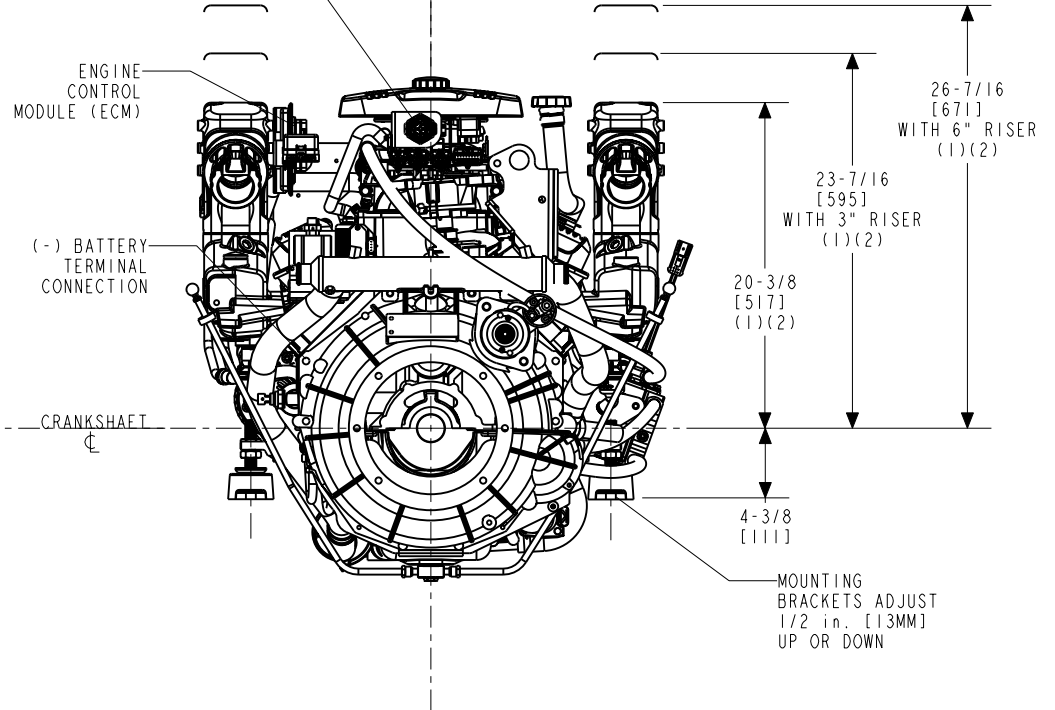
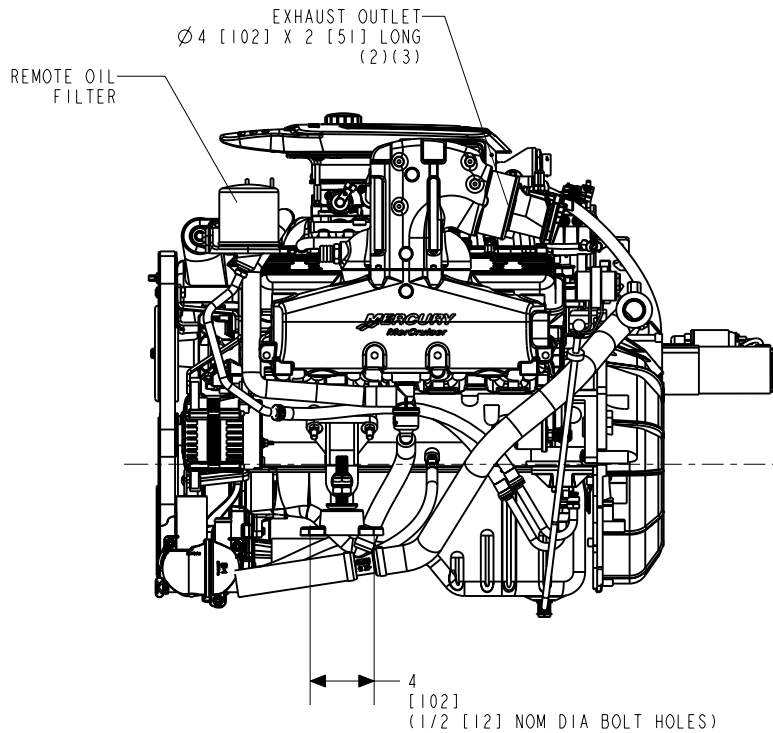
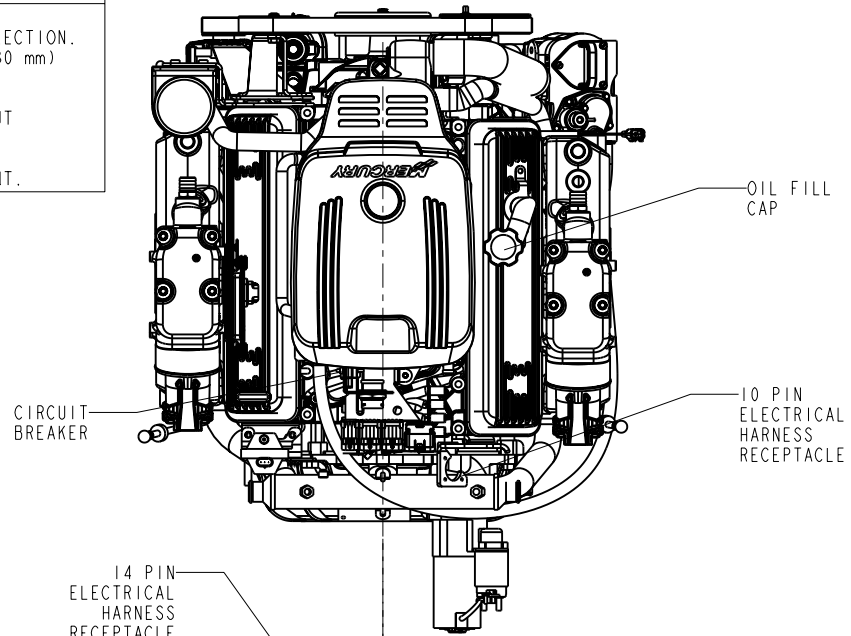
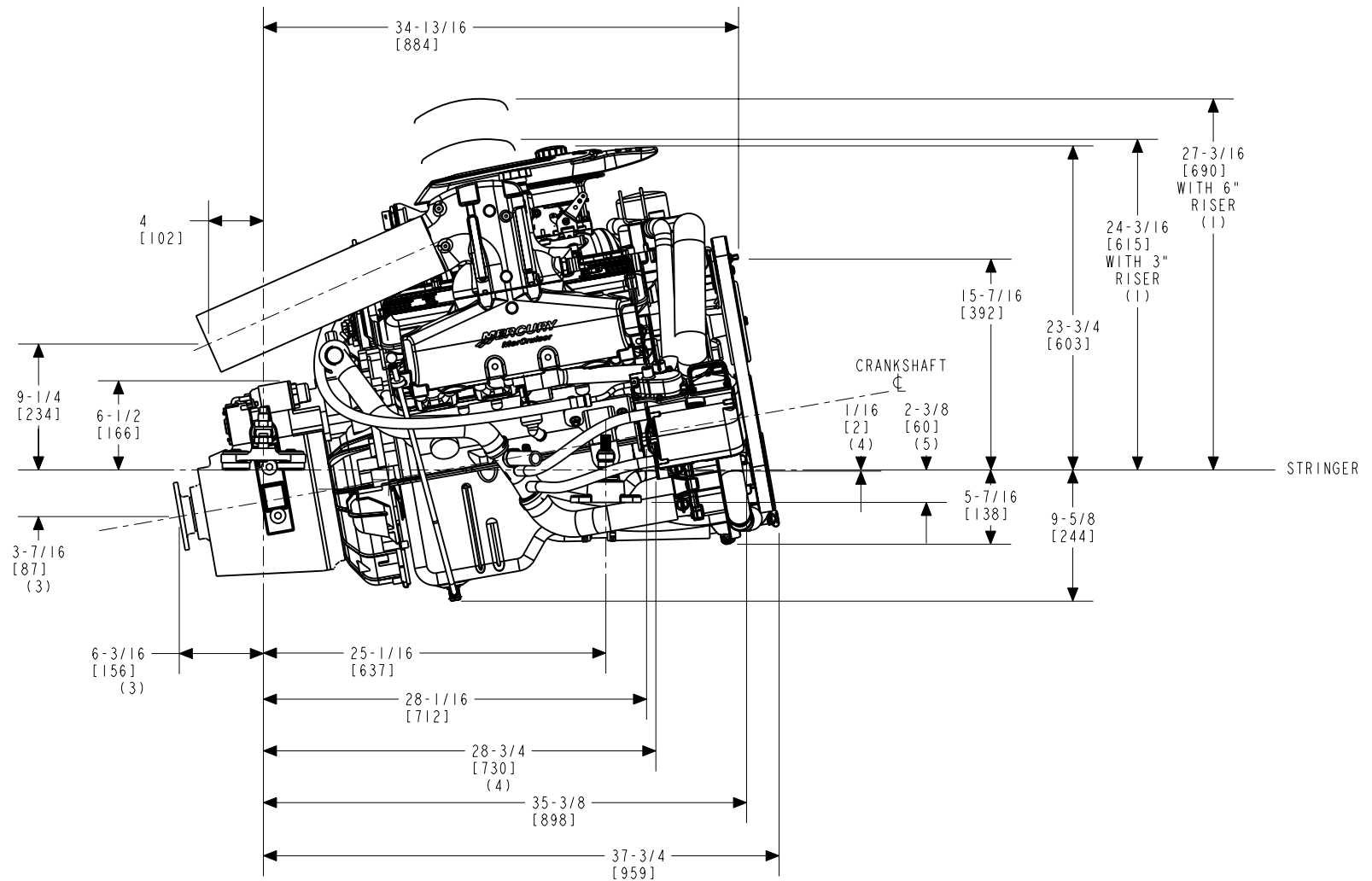


<p><b>DRW57-011 SHEET 1 OF 5</b>  <b>350 MAG MPI / MX 6.2L MPI</b>  <b>WITH VELVET DRIVE 72C IN-LINE TRANSMISSION</b></p>	<p><b>UNIT OF MEASURE</b>          in. (mm)</p>	<p><b>SCALE</b>          1" = 1'          25.4 mm = 305 mm</p>
<p><b>NOTES:</b></p> <p>(1) DIMENSIONS REQUIRE A MINIMUM OF 1/2 in. (13 mm) CLEARANCE FOR MOTOR MOUNT DEFLECTION.</p> <p>(2) SELECT THE APPROPRIATE EXHAUST RISE-HEIGHT TO MAINTAIN A MINIMUM OF 13 in. (330 mm) BETWEEN THE TOP OF THE EXHAUST ELBOW AND THE WATERLINE OF THE BOAT AT MAXIMUM RATED LOAD.</p> <p>(3) DIMENSIONS APPLY TO POINT OF INTERSECTION OF OUTPUT SHAFT CENTERLINE AND OUTPUT FLANGE FACE.</p> <p>(4) DIMENSIONS TO SEA WATER PUMP INLET.</p> <p>(5) BASE OF MOUNT TO BE PARALLEL TO STRINGER. MOUNTS SHOWN AT CENTER OF ADJUSTMENT.</p>		

NOTES:

- (1) DIMENSIONS REQUIRE A MINIMUM OF 1/2 in. (13 mm) CLEARANCE FOR MOTOR MOUNT DEFLECTION.
- (2) SELECT THE APPROPRIATE EXHAUST RISE-HEIGHT TO MAINTAIN A MINIMUM OF 13 in. (330 mm) BETWEEN THE TOP OF THE EXHAUST ELBOW AND THE WATERLINE OF THE BOAT AT MAXIMUM RATED LOAD.
- (3) DIMENSIONS APPLY TO POINT OF INTERSECTION OF OUTPUT SHAFT CENTERLINE AND OUTPUT FLANGE FACE.
- (4) DIMENSIONS TO SEA WATER PUMP INLET.
- (5) BASE OF MOUNT TO BE PARALLEL TO STRINGER. MOUNTS SHOWN AT CENTER OF ADJUSTMENT.





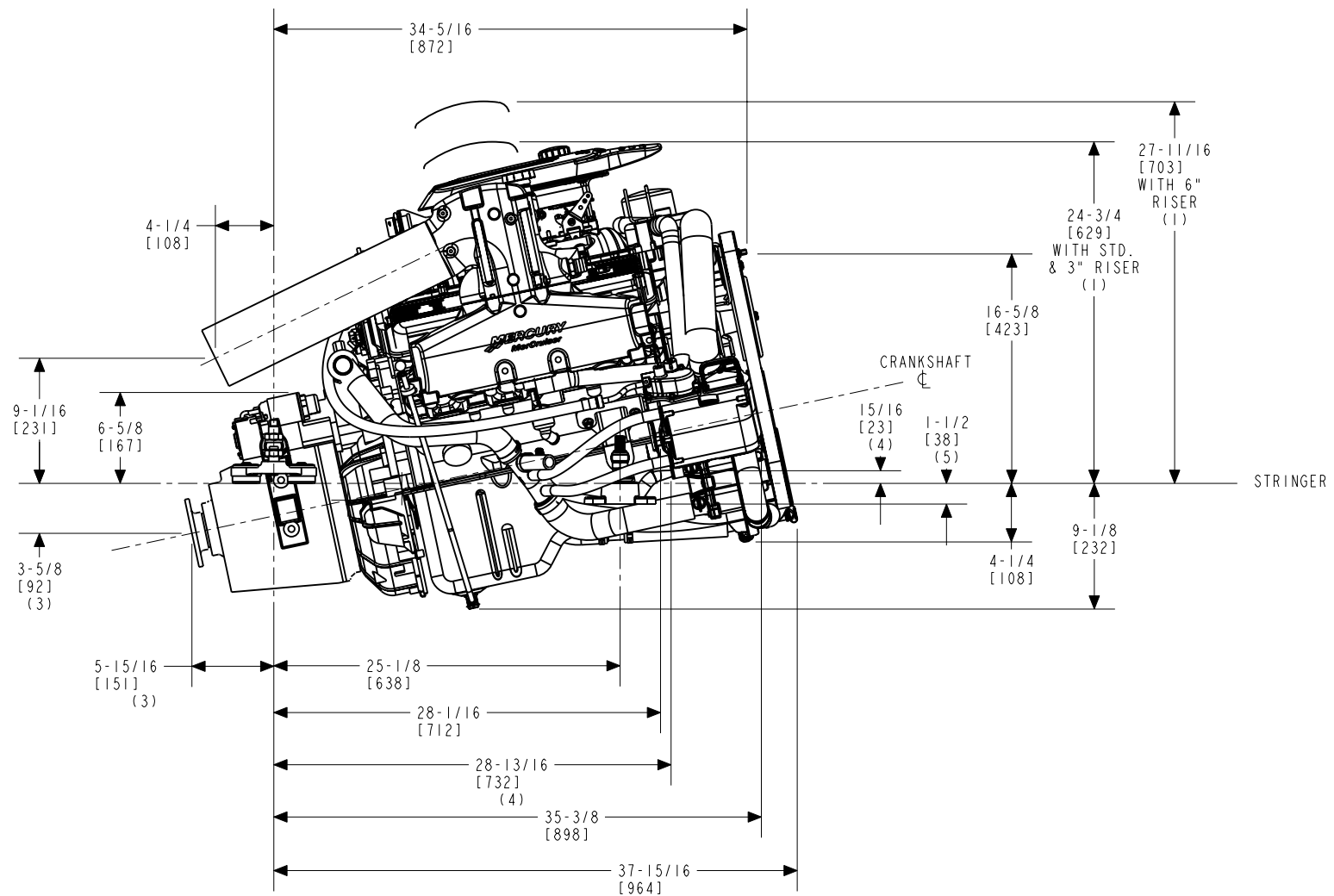
10° PROPSHAFT ANGLE SHOWN

DRW57-011 SHEET 3 OF 5  
 350 MAG MPI / MX 6.2L MPI  
 WITH VELVET DRIVE 72C IN-LINE TRANSMISSION

UNIT OF MEASURE  
 in. (mm)

SCALE  
 1" = 1'  
 25.4 mm = 305 mm

- NOTES:
- (1) DIMENSIONS REQUIRE A MINIMUM OF 1/2 in. (13 mm) CLEARANCE FOR MOTOR MOUNT DEFLECTION.
  - (2) SEE THE INSTALLATION MANUAL FOR EXHAUST SPECIFICATIONS.
  - (3) DIMENSIONS APPLY TO POINT OF INTERSECTION OF OUTPUT SHAFT CENTERLINE AND OUTPUT FLANGE FACE.
  - (4) DIMENSIONS TO SEA WATER PUMP INLET.
  - (5) BASE OF MOUNT TO BE PARALLEL TO STRINGER. MOUNTS SHOWN AT CENTER OF ADJUSTMENT.



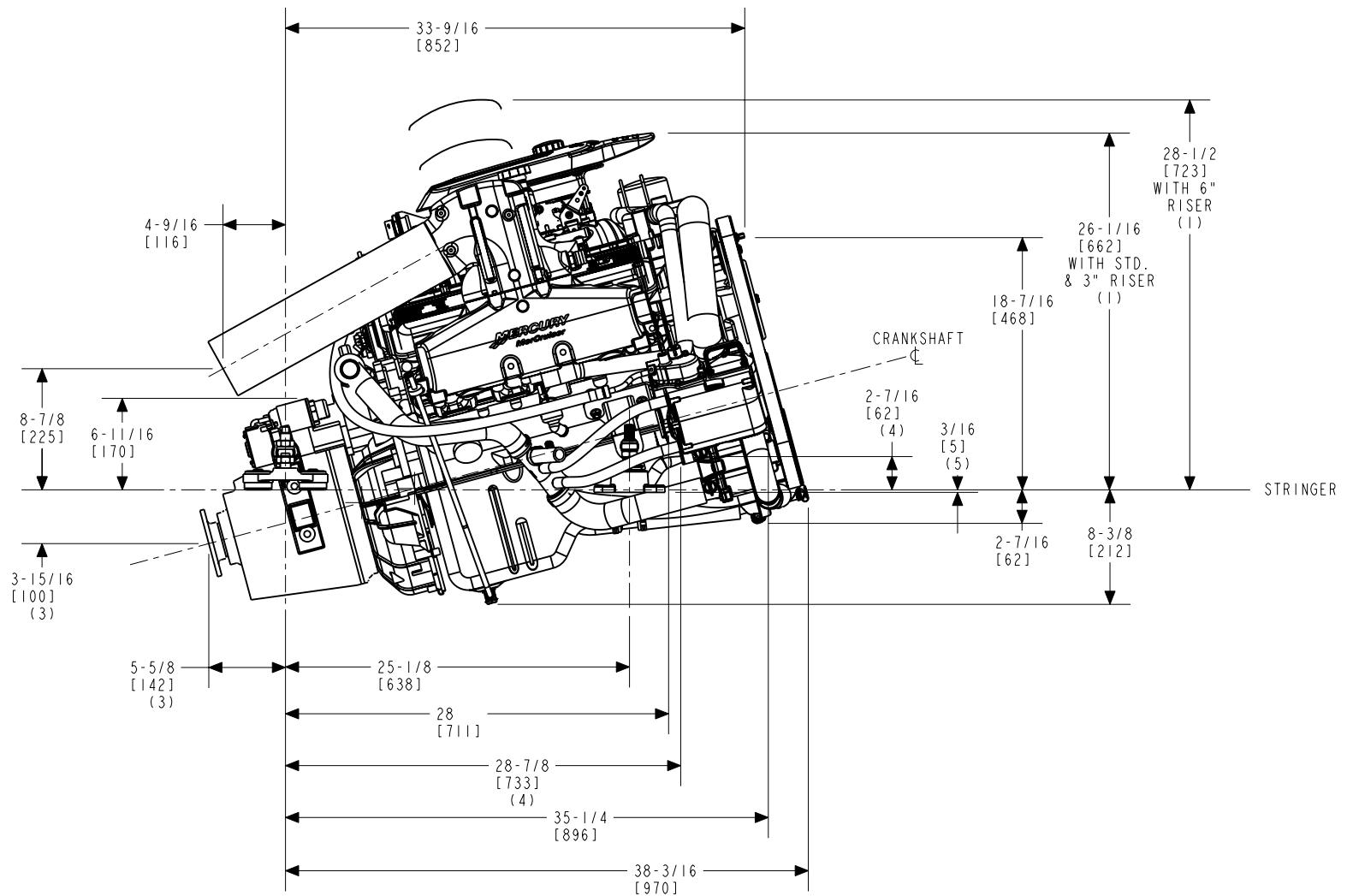
12° PROPSHAFT ANGLE SHOWN

DRW57-011 SHEET 4 OF 5  
 350 MAG MPI / MX 6.2L MPI  
 WITH VELVET DRIVE 72C IN-LINE TRANSMISSION

UNIT OF MEASURE  
 in. (mm)

SCALE  
 1" = 1'  
 25.4 mm = 305 mm

- NOTES:
- (1) DIMENSIONS REQUIRE A MINIMUM OF 1/2 in. (13 mm) CLEARANCE FOR MOTOR MOUNT DEFLECTION.
  - (2) SEE THE INSTALLATION MANUAL FOR EXHAUST SPECIFICATIONS.
  - (3) DIMENSIONS APPLY TO POINT OF INTERSECTION OF OUTPUT SHAFT CENTERLINE AND OUTPUT FLANGE FACE.
  - (4) DIMENSIONS TO SEA WATER PUMP INLET.
  - (5) BASE OF MOUNT TO BE PARALLEL TO STRINGER. MOUNTS SHOWN AT CENTER OF ADJUSTMENT.



# 15° PROPSHAFT ANGLE SHOWN

DRW57-011 SHEET 5 OF 5  
 350 MAG MPI / MX 6.2L MPI  
 WITH VELVET DRIVE 72C IN-LINE TRANSMISSION

UNIT OF MEASURE  
 in. (mm)

SCALE  
 1" = 1'  
 25.4 mm = 305 mm

- NOTES:
- (1) DIMENSIONS REQUIRE A MINIMUM OF 1/2 in. (13 mm) CLEARANCE FOR MOTOR MOUNT DEFLECTION.
  - (2) SEE THE INSTALLATION MANUAL FOR EXHAUST SPECIFICATIONS.
  - (3) DIMENSIONS APPLY TO POINT OF INTERSECTION OF OUTPUT SHAFT CENTERLINE AND OUTPUT FLANGE FACE.
  - (4) DIMENSIONS TO SEA WATER PUMP INLET.
  - (5) BASE OF MOUNT TO BE PARALLEL TO STRINGER. MOUNTS SHOWN AT CENTER OF ADJUSTMENT.